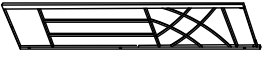




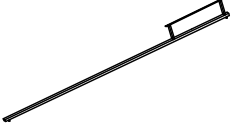
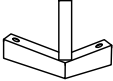


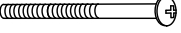
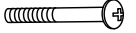
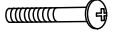

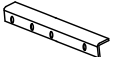



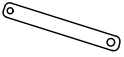
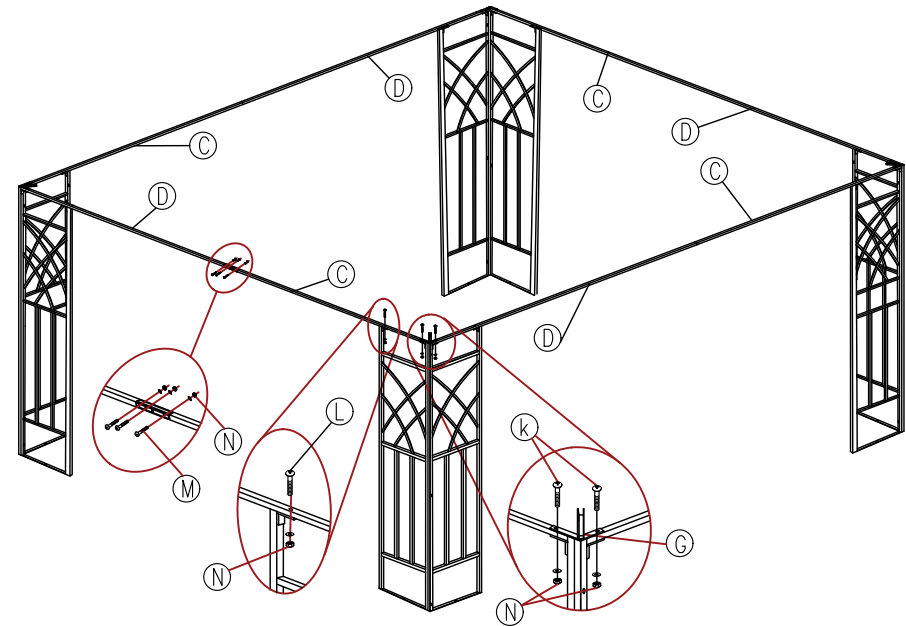
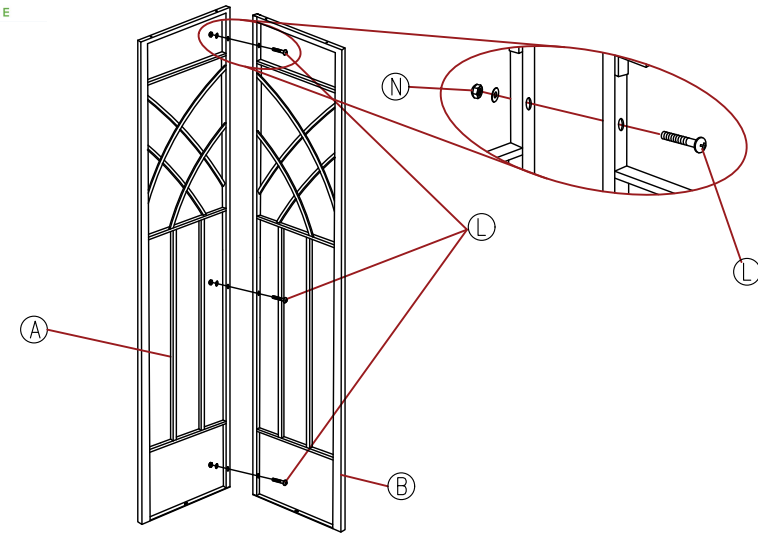


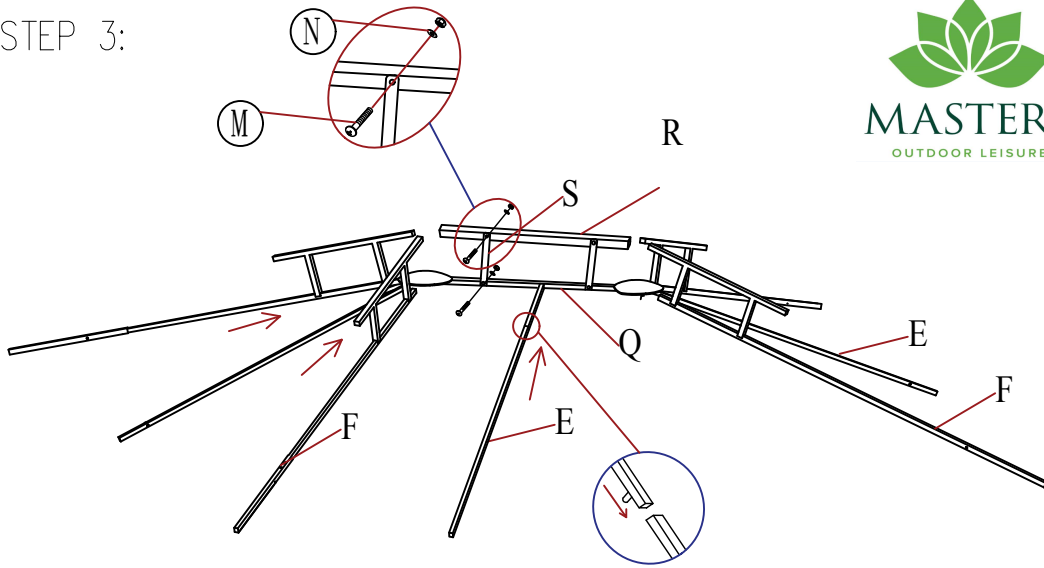


3x4 Buckingham gazebo

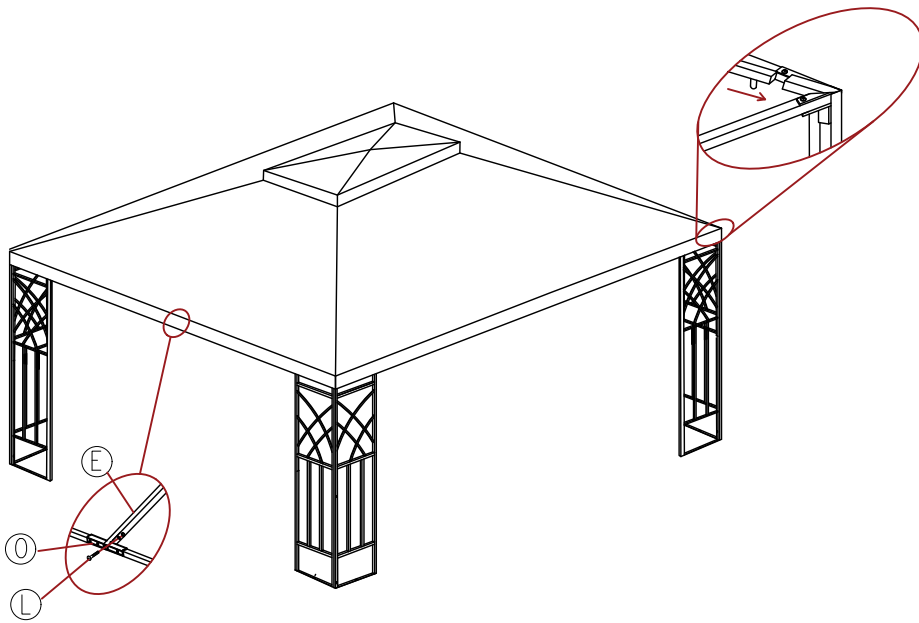
		
Ⓐ 4 PCS	Ⓑ 4 PCS	Ⓒ 4 PCS
		
Ⓓ 4 PCS	Ⓔ 4 PCS	Ⓕ 4 PCS
		
Ⓖ 4 PCS	Ⓘ 12 PCS	⓵ 1 PC
		
M6x40	M6*35	M6x30
Ⓚ 8 PCS	Ⓛ 24 PCS	Ⓜ 20 PCS
		
M6		
Ⓝ 48 PCS	Ⓞ 4 PCS	Ⓟ 1 PC
		
Ⓠ 1 PC	Ⓡ 1 PC	Ⓢ 2 PCS



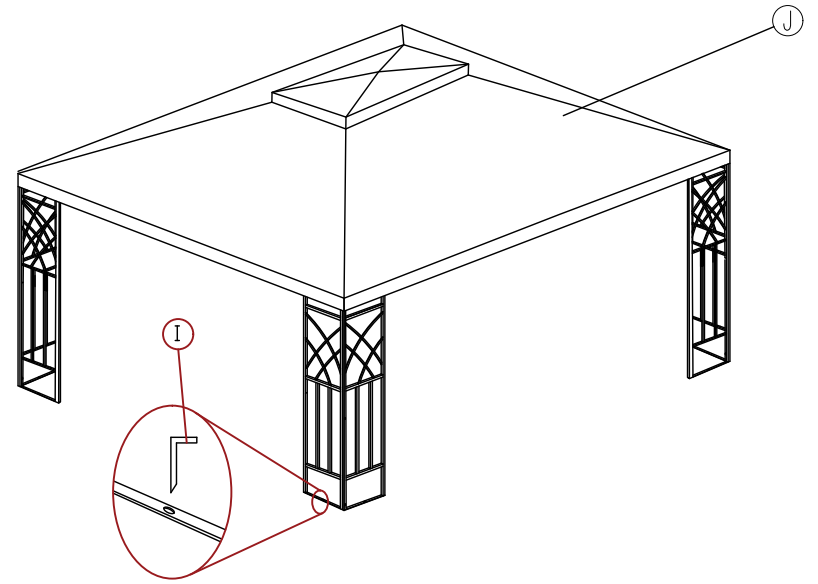
STEP 3:



STEP 4:



STEP 5:



STEP 6:

