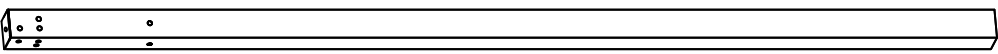
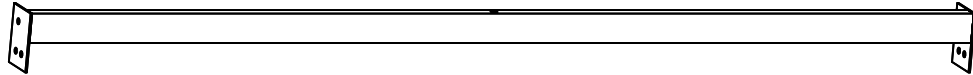
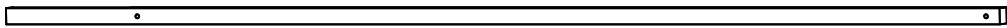
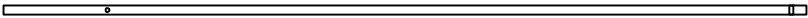
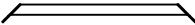
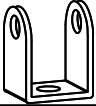
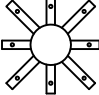

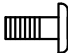

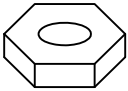
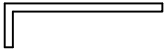
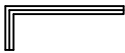
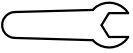
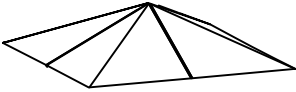

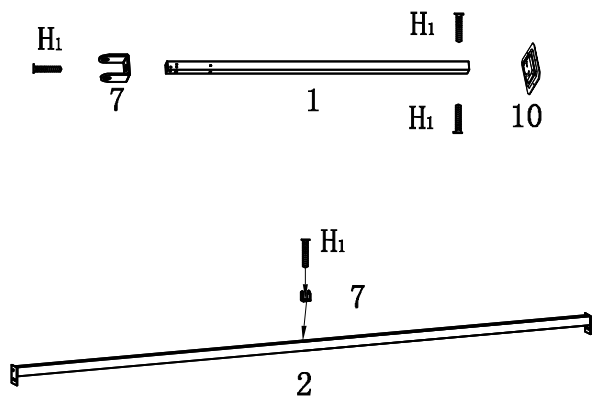
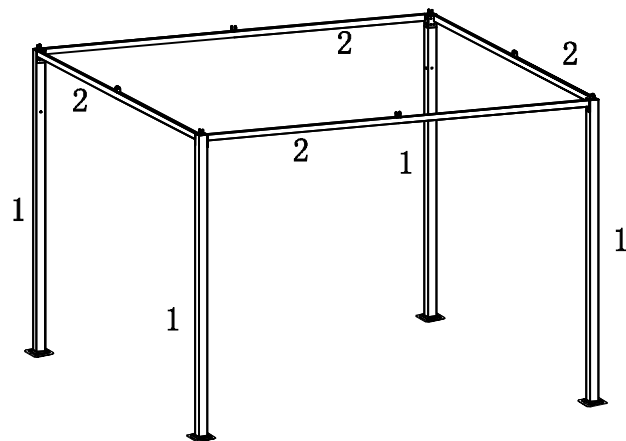


Part#	Image	Qty
1		4
2		4
3		4
4		4
5		8
7		8
8		1
10		4
H <sub>1</sub>	 M6*15	56
H <sub>2</sub>	 M6*35	8
I		8
J		8
K		2
L		1
M		1
N		4

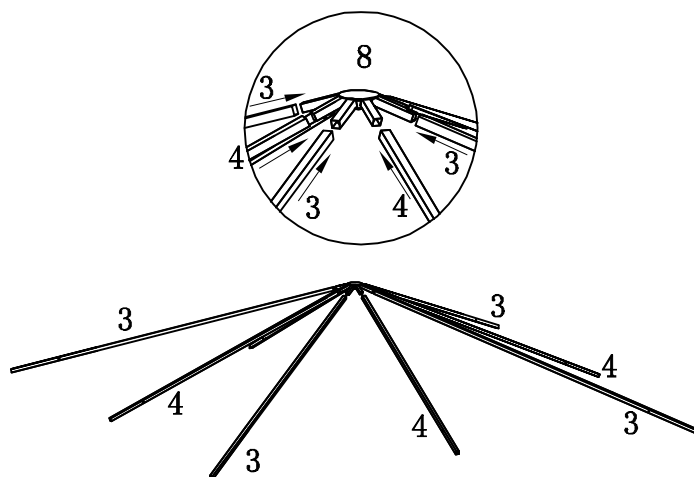
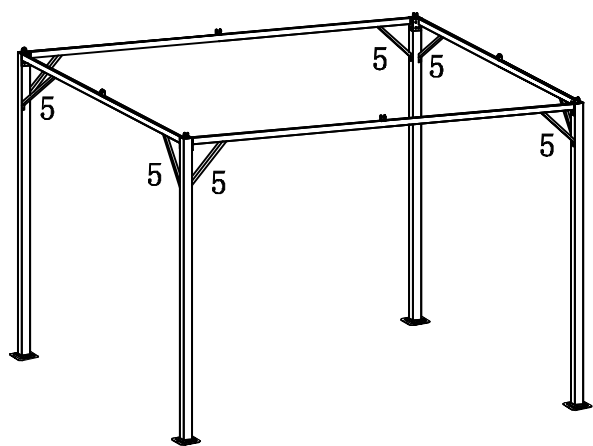
H<sub>1</sub> — x16



H<sub>1</sub> — x24



H<sub>1</sub> — x16



H<sub>2</sub> — x8

I — x8

